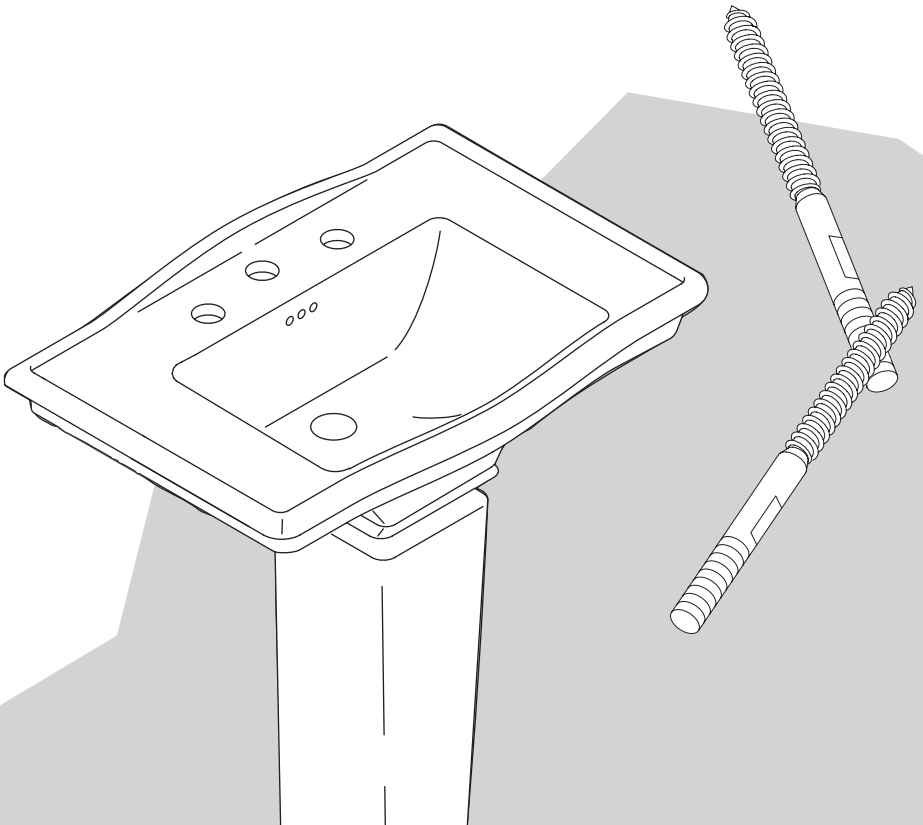


IMPERIAL

Basin Bolt Mounted Installation Guide



Important Information:

Please check the products for transport damage and that contents are complete before installation.

Consult a qualified plumber if you have any problems installing this product. Complaints made following installation regarding the above cannot be

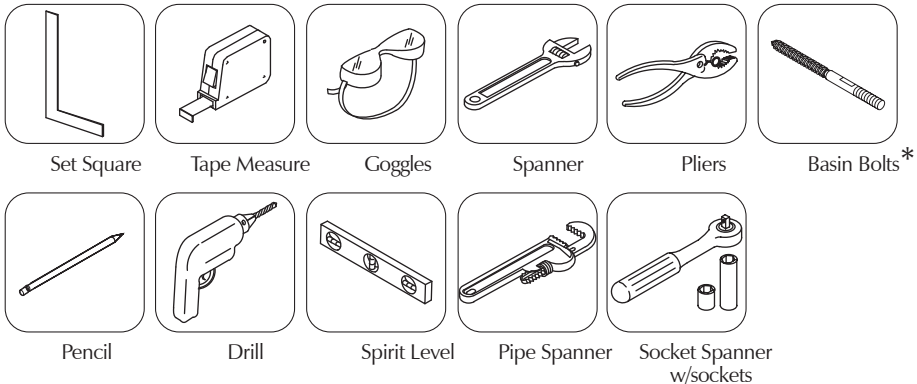
Pedestal and Semi-Pedestal Guidelines

Thank you for purchasing this Imperial product.
 These instructions relate to our basins and pedestals.
 Before you start check you have the necessary tools for installation.

- ⚠ Before you begin: Always handle our products with care and attention.
- Ceramic products are brittle, and may chip, crack or break if not handled carefully.
- Broken ceramic is extremely sharp. Take care not to over tighten screws and fittings.
- Over tightening may lead to breaks or chips in the ceramic.
- These instructions are for installing the basin on a solid wall only. For other installations including wall bracing please contact us directly for further guidance.
- Before installing the product, please inspect for damage incurred during transport.
- Imperial can not take responsibility for damaged products after or during their installation.
- We recommend that the guidance of a qualified plumber is sought throughout the installation process.
- Always observe the plumbing and building regulations in the area the product is being installed in.
- Imperial reserves the right to amend the design of its products without notice, as specified in the company catalogue.

Tools and Fittings:

The following tools are necessary for the installation of this product.
 Imperial would once again recommend that a qualified plumber carry out the installation of this product.

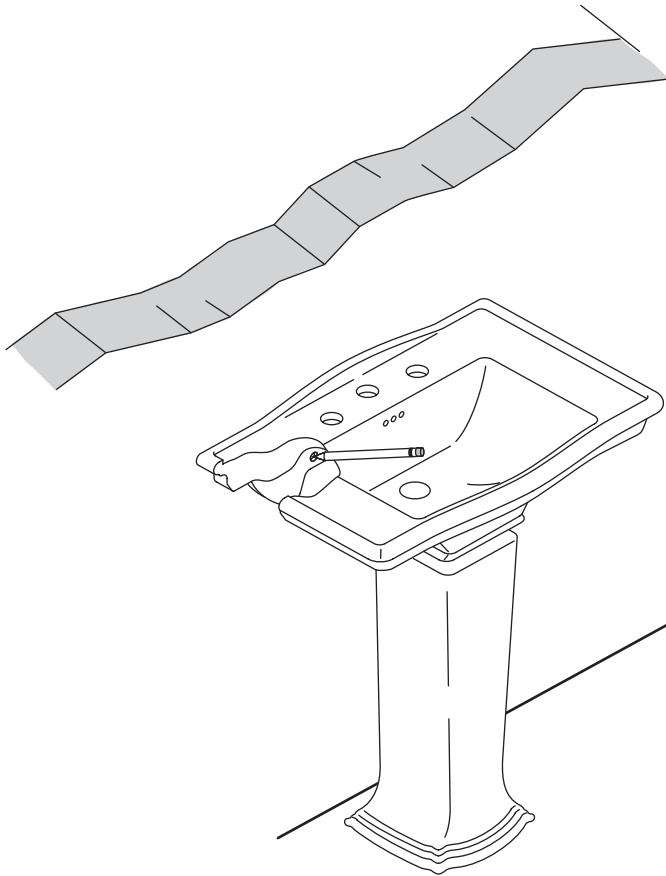


*Whilst some of our basins use basin bolts to hold them in place, some are fixed by brackets.
 Please check the back of this installation to see which mounting is suitable for your product before continuing. If your basin requires a bracket fixing, please turn to the back page of this booklet.

Pedestal and Semi-Pedestal Guidelines

Preparing the Wall for Installation (Basin Bolt attachment)

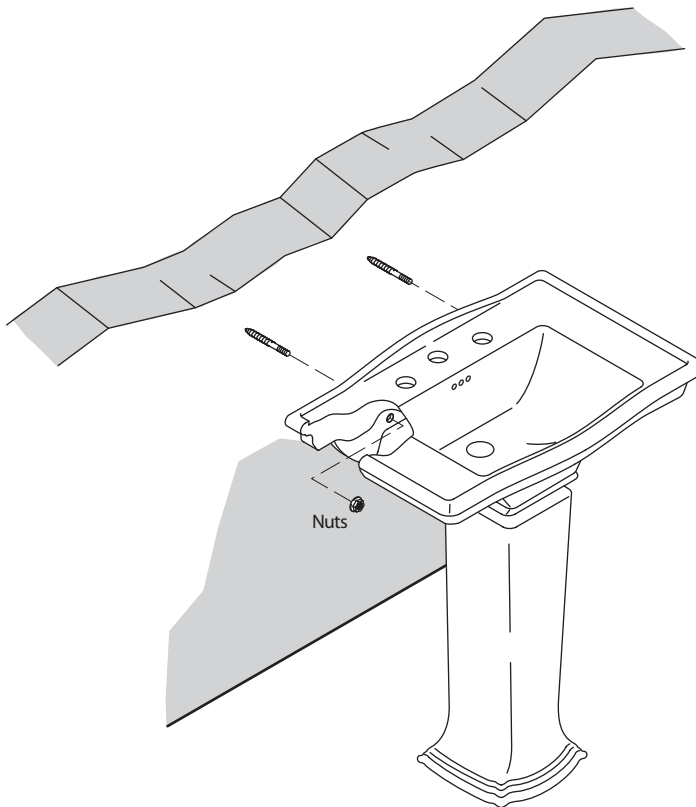
- ⚠ Have a qualified plumber install the water supplies and drain systems.
Position the pedestal into the approximate position.
- ⚠ Carefully lift the basin into place on the pedestal, and slowly move the pedestal as required to ensure the ideal fit. We recommend at least two people participate in lifting the basin due to the weight of the ceramic.
- ⚠ The basin must be supported by the pedestal.
Move the basin assembly up against the wall and mark the wall through the fixing holes in the basin as shown below.



Pedestal and Semi-Pedestal Guidelines

Installing the basin (Basin Bolt attachment)

For brickwork or tile wall installations, basin bolts (provided) are required. Drill 12mm mounting holes at the marked locations on the finished wall for the basin. Install the basin bolts (provided) in the wall so they extend 25mm beyond the finished wall. Fit the taps and waste to the basin. We recommend a qualified plumber carry out this procedure. Position the pedestal on the floor. Carefully set the basin on the pedestal so the hanger bolts extend through the basin anchoring holes. Install the nuts (provided) to the hanger bolts. Level the basin and carefully tighten the nuts until secure. Do not over tighten as this will cause stress to the ceramic.



- ⚠ Connect and tighten the waste to the drain. Complete the water supply connections to the basin. Consult a qualified plumber to assist with this.
Run water supply into the basin and check for leaks, faults or any other anomalies.
Optional: Apply silicone sealant around the pedestal foot to stabilize.

Pedestal and Semi-Pedestal Guidelines

Guarantees, Terms and Customer Care:

We recommend that all products are purchased with the assistance of a specialist bathroom retailer and always installed by an experienced installer who is a member of a recognised plumbing association.

Imperial sanitaryware products are produced to the most demanding standards set by any manufacturer in the industry and each piece can be subject to as many as 15 individual quality control checks during production.

Notwithstanding the high quality finishes achieved in the Imperial factory, all sanitaryware is subject to the limitations of the ceramic manufacturing process.

Vitreous China

These are extremely hard, non-porous products; but are also brittle and therefore must not be put under stress during installation.

Basin waste fittings when over tightened can create stress within the ceramic material which may in time cause the failure of the product. Waste fittings should be carefully bedded in silicon and the back nut hand tightened.

One additional quarter turn using a suitable spanner is sufficient to create the required watertight seal.

Care should also be taken when fitting brassware to tap platforms in order to prevent similar stress related failures. All products should be inspected before installation.

Looking after your Bathroom:

The glazed finish of your sanitaryware should be cleaned after use by applying a little cream-type cleaner.

Apply using a sponge or damp cloth and rinse thoroughly with clean water.

Cleaners containing abrasive materials should be avoided.

Gold plated brassware and taps should be cleaned with warm soapy water and dried with a soft cloth. Under no circumstances should bleach or abrasive cleaning products, polishes, or detergent be used on plated surfaces and in particular should these materials be used on gold plated items it is possible that the surface will be damaged.

Guarantees (UK & Ireland)

Vitreous china manufactured by the Imperial Bathroom Company carries a lifetime guarantee against failure caused by manufacturing defect.

Imperial taps and mixers are guaranteed against manufacturing defects for 5 years.

For products sold outside the of the UK & Ireland refer to the rear of the catalogue for guarantee information.

Visit www.imperial-bathrooms.co.uk for full term and conditions or see our product catalogue.

Tel: +44 (0) 1922 743074 Fax: +44 (0) 743180

Measurements & Drawings

